



1 Lighting Parameters

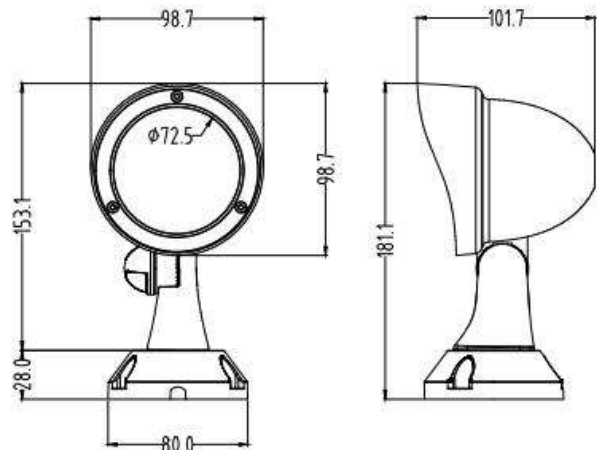
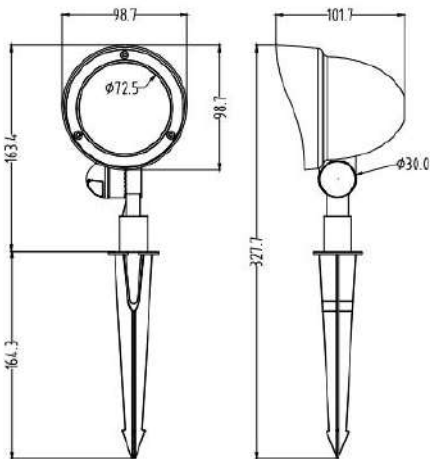


Product Name:	RGBCCT Landscape Spotlight
Model:	EL-SPOT-RGBCCT
Power:	12W
Voltage:	AC / DC 12V-24V
Product Size:	7"
CRI:	>80
CCT:	RGB + 3000K-6500K
Beam Angle:	60°
Lumens:	1000 Lumens
Efficacy:	83 lm
IP Rating:	IP 65 Waterproof
Material:	Aluminium + Stainless Steel
Lifespan:	40,000 hours
Working Temp:	-4°F - 104°F

2 Features

- 1) 2.4G RF Remote controller, freely controlled with a range of 20-30 meters.
- 2) RGB+CCT: 3000K-6500K colour temperature adjustable
- 3) Brightness 1%-100% smooth dimmable by remote controller
- 4) Colour Changing Sequence: red, green, blue, purple, yellow, cyan, warm white, cool white
- 5) Memory function available.
- 6) Swivel Design: 180° rotation.
- 7) Premium Aluminium and stainless steel material, waterproof IP65 perfect for wet outdoor locations.
- 8) 3.9 ft long power cable makes it convenient to connect the power; easy and fast to install
- 9) ETL certified, safe to use.

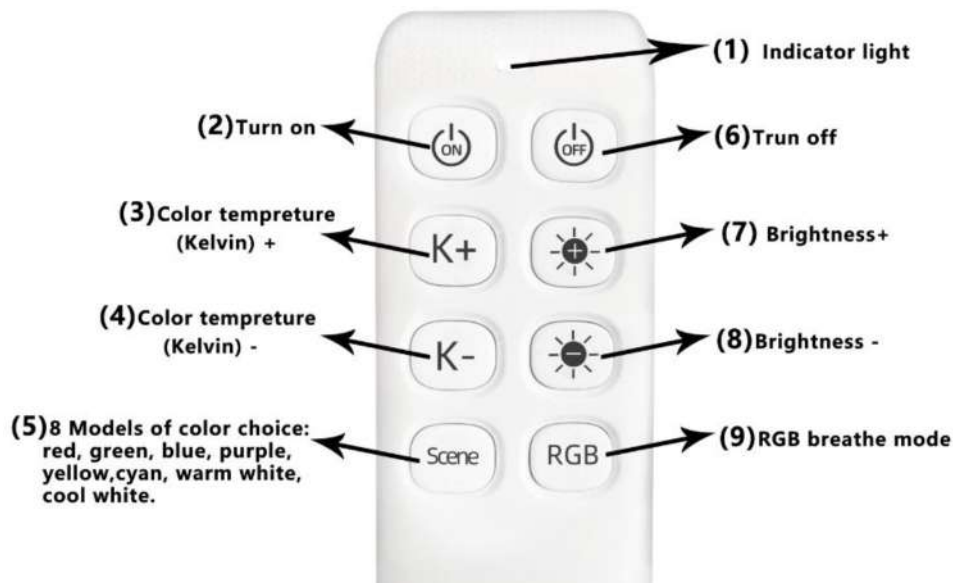
3 Dimensions



See reverse side for more information
 Voir au verso pour plus d'information

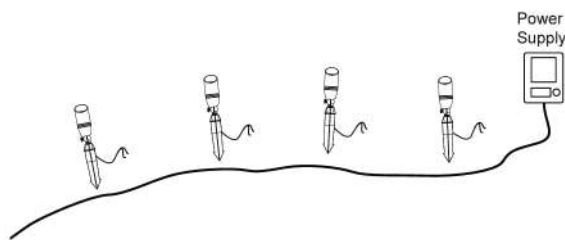


4 Colour Changing



5 Installation

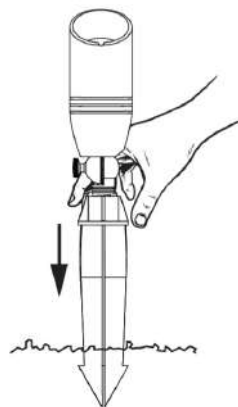
Figure 1



Lay out the fixtures as they will be installed. Run wire from the power supply past each light. Wire must be within range of the mounting stake to allow power connection to be made.

Properly connect each light to the landscape wire. Wrap all connections with self-fusing tape.

Figure 2



Using a trowel, loosen ground where the fixture will be installed. Gripping the stake only, press the stake into the ground.

Caution: Do not use a hammer or exert force on the fixture during installation.

Turn on the power supply and ensure all fixtures are working.

Dig a small channel, and bury the landscape wiring and connections. Stone and mulch are also suitable coverings.

