



EL-GL4-10W-SMARTRGB  
4" Recessed SMART RGB Gimbal Light

Eliteline



**4" SMART GIMBAL, RGB + 2700K to 6500K**  
**10W, 700LM**  
**CCT Controllable Using Phone App**

Features

**Smart Control**

1. Cell-phone and voice-intelligent controlled home lighting, with scene-optional choices for changing the temperature and luminance of light through an APP on your mobile device. There are 16 million variations of colour that you can choose from.
2. Cell-phone Control: Open the remote control APP, and enjoy a new lifestyle instead of "get up to turn off lights" or "forget to turn off lights".
3. Voiced Control: Says "turn the light pink in dining-room" to Google Home, then you can enjoy a romantic environment. The product is supported by mainstream smart home platform, such as Amazon Echo, Google Home, etc.
4. On/off, timing, brightness adjustment, mode selection, and colour switching.
5. Wireless module connection, safe and reliable, ultra-low power consumption.
6. Built-in global cloud service, extremely reliable system deployment architecture with uninterrupted continuous service.
7. Top level information security, ISO27001 information security management system certification.

**LED Characteristics**

This general application light fixture features a 10 watt LED module that maintains uniform intensity producing 700 lumens; with a typical CRI of 80+. Available in RGB + 2700K-6500K colour temperature.

**Dimming**

5%-100% dimming capability. This fixture is compatible with APP.

**Beam Angle**

40°

**Mounting**

Includes two spring loaded clips to attached to any ceiling material. The slim profile allows to be mounted under joists or duct work.

**LED Driver**

Extruded junction box with 210mA dimmable class II electronic LED driver with 120V 60Hz input.

**Quick Connect**

Three "Quick connect" push-in terminals for fast and easy wiring.

**Operating Temperature**

-20°C~40°C (-4°F~104°F)

**Environment**

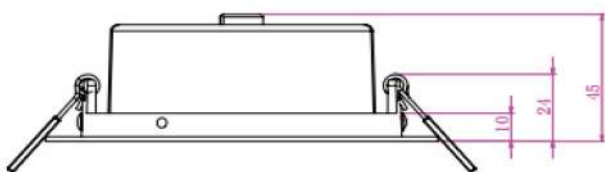
Suitable for damp locations. Suitable for insulated ceiling applications.

**Certificate**

This LED recessed light is IC rated, ETL E5 certified and wire terminal is UL-certified. It is permitted to be in contact with insulations in ceilings, meaning the junction box is thermally protected.

**Requirement**

- Internet connection with a WIFI network Strong WIFI signal
- 2.4G Hz wireless frequency
- Password protected WIFI network for security reason
- Router with sufficient connections



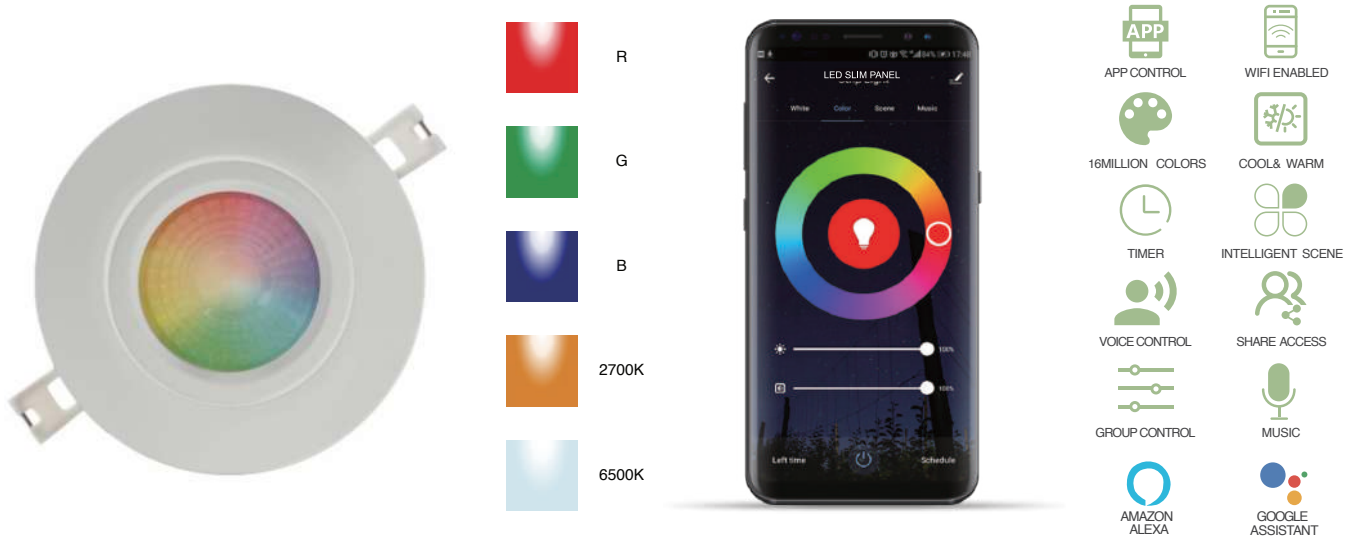
Description

This recessed light is a 10 watt 4" profile light fixture for recessed retrofit application. It is a high-performance, easy to install residential grade downlight solution that offers good light output, energy efficiency and streamlined design. Suitable for damp locations.

See reverse side for more instructions  
Voir au verso pour plus d'instructions

Eliteline

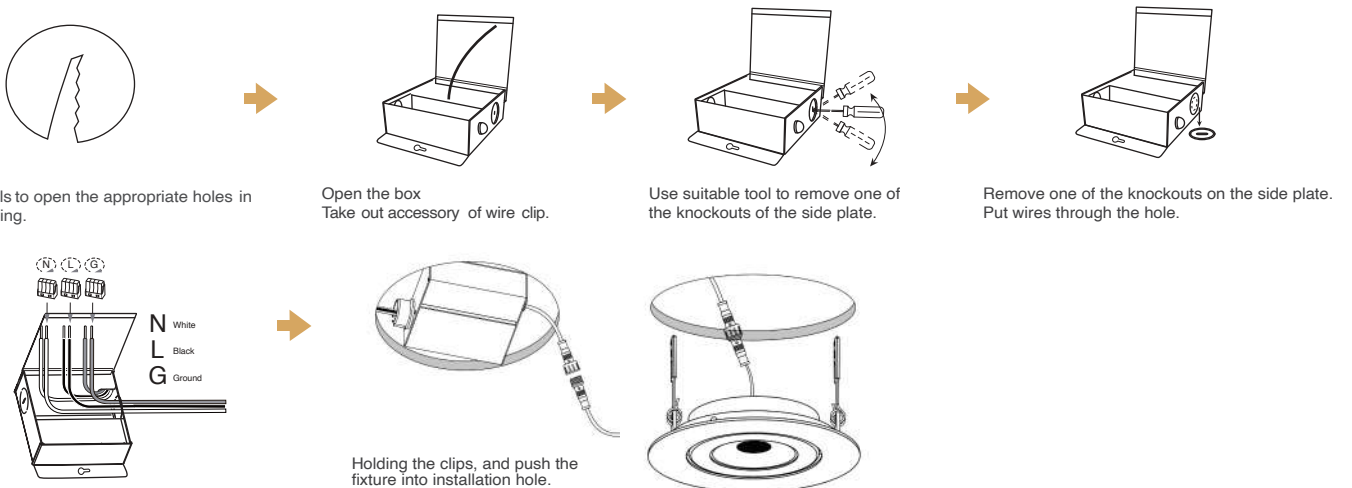




## PRODUCT SPECIFICATIONS

| Product               | EL-GL4-10W-SMARTRGB           |
|-----------------------|-------------------------------|
| Type                  | 4"                            |
| Power                 | 10W                           |
| Voltage - Frequency   | 120VAC 60HZ                   |
| Color Temp. (ANSI)    | RGB + 2700K-6500K             |
| CRI (Ra)              | > 80                          |
| Typical lumens (lm)   | 700                           |
| Efficacy (LPW)        | 70LM/watt                     |
| Beam Angle            | 40°                           |
| Dimmable              | Yes                           |
| Power Factor          | 0.9                           |
| Operating Temperature | -20°C to 40°C (-4°F to 104°F) |

## Installation



See reverse side for more instructions  
Voir au verso pour plus d'instructions

Eliteline

