



4" RECESSED 360° PL GIMBAL 9W 5CCT

Eliteline



MODEL:EL-3604PL-9W-5CCT

4" Semi-sphere series Led Gimbal Downlight

9W, Insulation Contact(IC), Airtight Recessed Lighting

Features

Body

Durable airtight plastic face cover with metal heat sink and etched white polycarbonate diffuser lens for low glare.

LED Characteristics

This general application light fixture features a 9 watt LED module that maintains uniform intensity producing up to 750 lumens; with a typical CRI of 80+. Available in 3000K, 3500K, 4000K, 5000K, 6000K CCT.

Dimming

5%-100% dimming capability. This fixture is compatible with industry standard TRIAC/ELV dimmers.

Mounting

Includes two spring loaded clips to attached to any ceiling material. The slim profile allows to be mounted under joists or duct work.

Beam angle

45°

Rotatable angle

360° in hemisphere.

LED Driver

Extruded junction box with 210mA dimmable class II electronic LED driver with 120V 60Hz input.

Quick Connect push-in terminals

Three "Quick connect" push-in terminals for fast and easy wiring.

Operating Temperature

-20°C~40°C (-4°F~104°F)

Environment

Suitable for damp locations.
Suitable for insulated ceiling applications.

Certificate

ETL
Energy Star
CE Rohs

Instruction

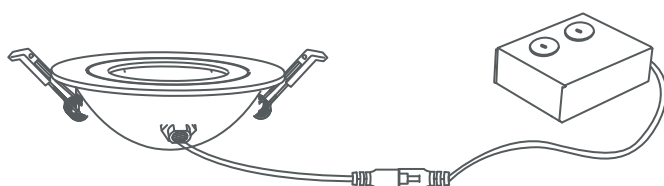
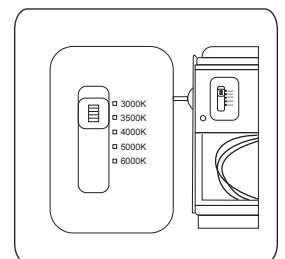
EL-3604PL-9W-5CCT

4 inches recessed round LED gimbal light in 3000K/3500K/4000K/5000K/6000K
Panneau lumineux rond encastré DEL de 4po. 3000K/3500K/4000K/5000K/6000K

There is dip switch on the front of junction box that marks 3000K/3500K/4000K/5000K/6000K for selecting light colour.

By dip switch

Select certain color temperature (3000K/3500K/4000K/5000K/6000K) on dip switch, then the light will be that color. Wall switch only has ON/OFF function under this situation.



Description

This recessed light is a 9 watt 4" profile light fixture for recessed retrofit application.

It is a high-performance, easy to install residential grade downlight solution that offers good light output, energy efficiency and streamlined design, Suitable for damp locations.

See reverse side for more instructions
Voir au verso pour plus d'instructions




PRODUCT SPECIFICATIONS

Product	EL-3604PL-9W-3CCT
Type	4"
Power	9W
Voltage - Frequency	120VAC 60Hz
Color Temp. (ANSI)	3000K/3500K/4000K/5000K/6000K
CRI (Ra)	80
Typical lumens (lm)	750
Efficacy (LPW)	84
Beam Angle	45°
Dimmable	Yes
Power Factor	0.9
Operating Temperature	-20℥- 40℥(-4℥~104℥)

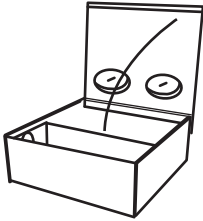
Installation

1



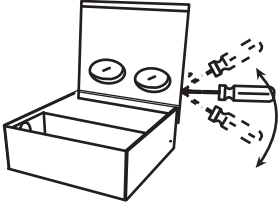
Use tool to open the appropriate holes in the ceiling.

2



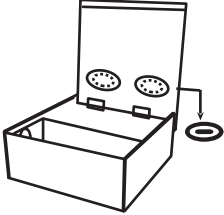
Open the box
Take out accessory of wire clip.

3



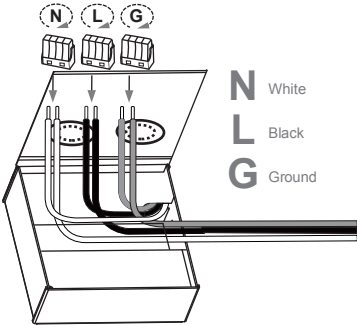
Use tool to remove one of the knockouts of the plate.

4



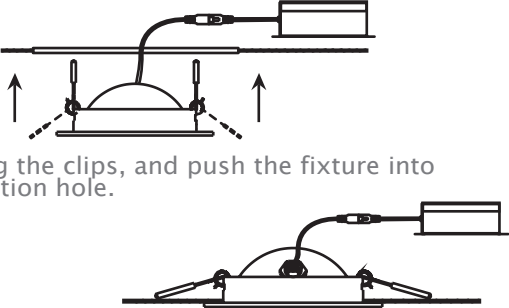
Remove one of the knockouts on the plate. Put wires through the hole.

5



N White
L Black
G Ground

6



Holding the clips, and push the fixture into installation hole.

Release spring clips and push into place.